

prebit®

YACHT LIGHTING



HAL101

HAL101 LED-Dimmer



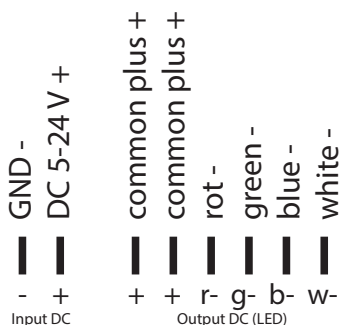
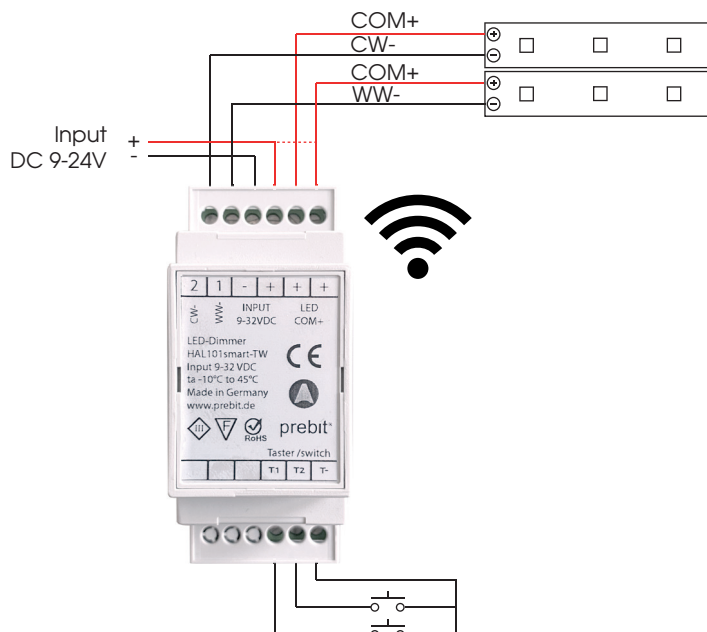
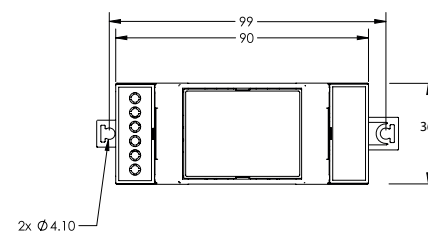
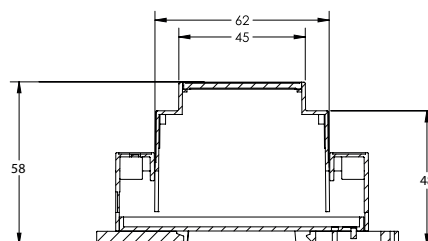
- Bluetooth LED-Dimmer zur komfortablen Bedienung über Tablet oder Smartphone (Apple, Android)
- für Hutschienen-Montage
- für tunable white, 2-Kanal oder dim to warm LED-Bänder
- kostenlose App von Casambi (Apple, Android)
- Regelung von Helligkeit und Lichtfarbe
- integrierte Antenne

- Bluetooth LED dimmer for convenient operation via tablet or smartphone (Apple, Android).
- for DIN-rail mounting
- for tunable white, 2-channel or dim to warm LED strips
- free Casambi app (Apple, Android)
- Control of brightness and light color
- integrated antenna

Technische Daten / technical specifications

Eingangsspannung: <i>input voltage:</i>	9-24 V DC
Signaleingang*: <i>signal input*:</i>	Bluetooth 4.0
Funksignal*: <i>radio signal*:</i>	2,4 - 2,483 GHz / 4 dBm
max. Strom (pro Kanal): <i>max. current (each channel):</i>	5 A 5 A each channel
PWM-Frequenz: <i>PWM-frequency:</i>	~ 1.000 Hz
Umgebungstemperatur (ta): <i>ambiente temperature (ta):</i>	-20° - 50° C
Abmessungen: <i>Dimensions:</i>	90 x 36 x 58 mm
Leitungsquerschnitt Klemme: <i>conductor cross selection terminal strip</i>	0,05 - 3,31 mm ² 30-12 AWG

* nur smart Version
* only smart version






HAL101 Versionen

- Tunable white
2-Kanal Steuerung, z.B. 2700K-6500K oder 3000-5000K
- d2w
Modus für 2-Kanal Warmton-Dimmung dim2warm
- 2-Kanal
zwei separat dimmbare Kanäle (einfarbig)

HAL101 versions

- Tunable white
2-channel control, e.g. 2700K-6500K or 3000K-5000K
- d2w
Mode for 2-channel warm tone dimming dim2warm
- 2-channel
two separately dimmable channels (one color)

Art.-no.	Bezeichnung description	Version version	Kanäle channels	 smart-Funktion smart function
500 013 76	HAL101smart-TW	Tunable white tunable white	2	✓
500 013 75	HAL101smart-d2w	dim to warm dim to warm	2	✓
500 013 78	HAL101smart-2CH	Dimmer 2-Kanal dimmer 2 channel	2	✓
500 013 81	HAL101-1CH	Dimmer 1-Kanal dimmer 1 channel	1	✗
500 013 79	HAL101-2CH	Dimmer 2-Kanal dimmer 2 channel	2	✗